



Sherpa Z50 Technical Datasheet



SHERPA Z50

Technical Datasheet

Motor

Capacity	: 24.8 hp
Max. revolutions	: 3600 rpm
Adjusted revolutions	: 3000 rpm
Manufacturer	: Kubota
Type	: D902
Number of cylinders	: 3
Fuel tank capacity	: 15 L
Cooling	: Coolant

Capacity data

Breakout force	: 726 kg
Tractive force	: 515 kg
Work- drive hydraulics	: 42 L/min - 190 bar
Hydraulic tank capacity	: 42 L

Tires

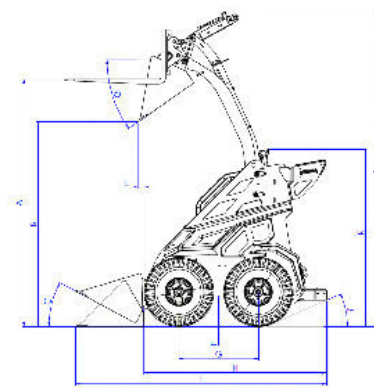
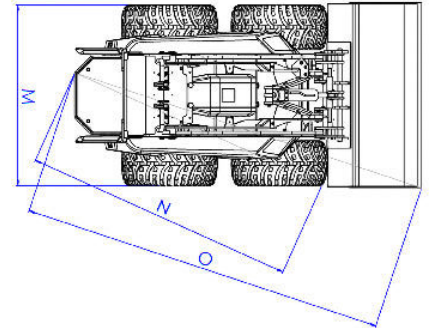
Standard	: 20x11.00-8
Narrow	: 4.00-10

Brakes

Braking system	: Hydrostatic on 4 hydraulic wheelmotors
-----------------------	--

Drive system

Drive	: Hydrostatic through 4 hydraulic wheelmotors
Max. speed	: 0-6 (proportional) km/h
Steering	: Skid steering



Dimensions in mm

A	Max height palletforks	2051
B	Height underside of bucket when dumping	1700
C	Bucket angle low	28°
D	Bucket angle when dumping	35°
E	Length from wheel to bucket when dumping	50
F	Ground clearance	188
G	Wheelbase	657
H	Length machine	1519
I	Length machine incl. bucket	2075
J	Ramp angle	23,5°
K	Height machine	1495
L	Total maximum height	2590
M	Width	1140
N	Turning radius	1664
O	Turning circle incl bucket	2208

SHERPA Z50

Technical Datasheet

Electrical system

Voltage : 12 V
Battery capacity : 45 Ah

Max. dimensions

(L mm x W mm x H mm, excl. bucket)

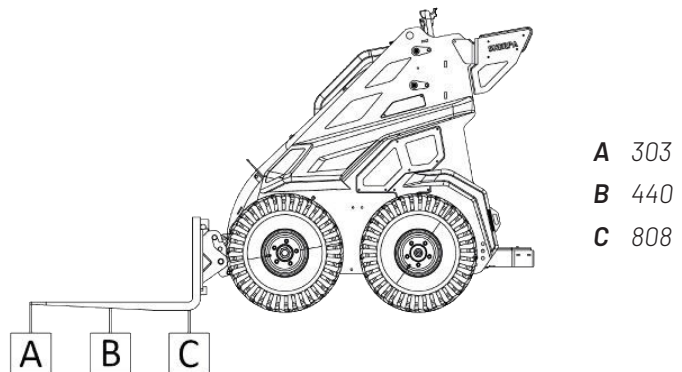
Standard : 1519 x 1140 x 1495

Kerb weight

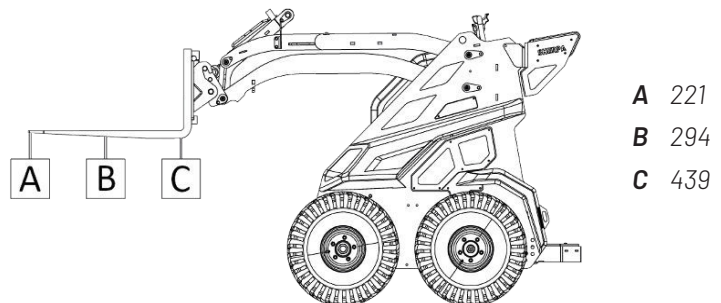
862 kg

Tipping loads*:

Palletforks load low**



Palletforks load high**



* Including operator 75kg

** Take into account a safety factor of 30%

SHERPA Z50

The powerhouse of the SHERPA Z series – the Z50 takes on any challenge! This machine is 114 centimetres wide and equipped with a reliable 25 HP Kubota D902 diesel engine. This makes the Z50 the most powerful version in our range of skid steer loaders.



More information? Please contact us!

SHERPA
MINI-LOADERS

Canadabaan 14
5388 RT Nistelrode
Nederland
+31 412 61 33 44
info@sherpaminiloaders.com
www.sherpaminiloaders.com

Follow us

